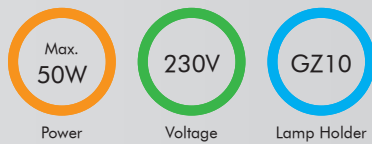


Telescope Two

1-Phase Track Light

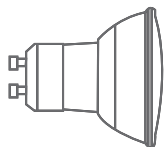
*GZ10 / MR16

*Compatible with most MR16 LED Bulbs with GZ10 / GU10 lamp base.



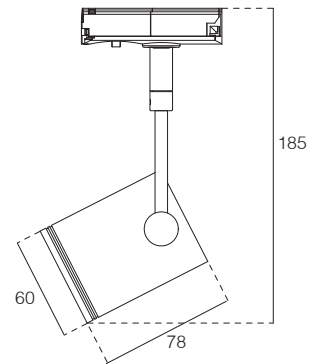
Product Information	Power	Max. 50W
	Input Voltage	230V
	Lamp Holder	GZ10 (Included)
	Lamp Type	MR16 (50mm)
	Adapter	1-Phase (included)

* Photometric information is determined by different lamp bulbs chosen.



MR16 (50mm) GZ/GU10

* Optional lamp bulbs on request



On Request	Article No.	Description
	see page 138	1-Phase tracks and accessories
	see page 269	GU10 LED bulb

Product List	Article No.	Product Name	Color	Lamp Type	Lamp Holder	Voltage	Power
	2.16.0325	1-phase track light Telescope Two GZ10	Silver grey	MR16 (50mm)	GZ10	230V	Max. 50W
	2.16.0326	1-phase track light Telescope Two GZ10	White	MR16 (50mm)	GZ10	230V	Max. 50W