



Fondo Asymmetric

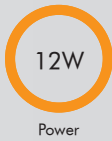
LED Spot Light


Deep Round & Square Fixed

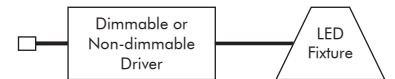
Fixed	Cutout Size	 Ø 83mm
Tiltable	Cutout Size	 86*83mm

8.4W, 350mA

AVAILABLE ON REQUEST



Product Information	System Power	12W		
	CRI	>90Ra		
	CCT	2700K	3000K	4000K
	LED Lumen	650lm	700lm	800lm
	LED Efficacy	72lm/W	78lm/W	89lm/W
	LOR	Up to 75%		
	Driver	500mA Non-Dimmable or Dimmable Driver (included)		
	Reflector	 20° Low-glare included		



System includes: fixture, driver and quick connector



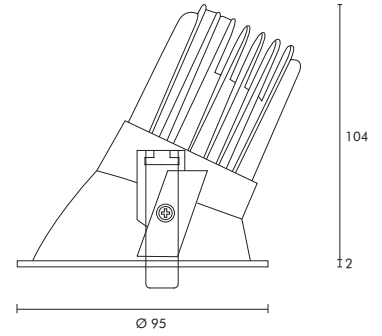
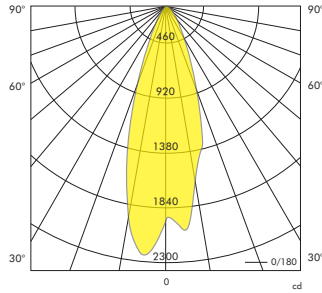
Quick connector (included)

On Request	Article No.	Description
	-	1-10v or DALI dimmable driver available on request
	-	8.4W, 350mA version available on request

Fondo Asymmetric Deep Round 3000K

H [m]	[lux]	Beam [Ø cm]	Field [Ø cm]
1	1647	40	100
2	412	80	200
3	183	120	300
4	103	160	400
5	66	200	500

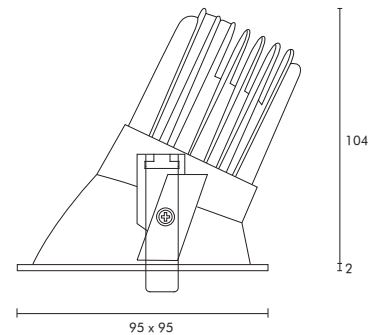
Beam (50%) Angle: 23° Field (10%) Angle: 53°



Article No.	Product Name	Color	LED Lumen	CCT	CRI	Cooling	LED Power	Reflector	Cutout Size
2.11.1867 / 2.11.1868 ¹	LED spot Fondo Asymmetric deep round fixed	Grey	650lm	2700K	>90Ra	Passive	9W	20°	Ø 83mm
2.11.1869 / 2.11.1870 ¹	LED spot Fondo Asymmetric deep round fixed	Grey	700lm	3000K	>90Ra	Passive	9W	20°	Ø 83mm
2.11.1871 / 2.11.1872 ¹	LED spot Fondo Asymmetric deep round fixed	Grey	800lm	4000K	>90Ra	Passive	9W	20°	Ø 83mm
2.11.1873 / 2.11.1874 ¹	LED spot Fondo Asymmetric deep round fixed	White	650lm	2700K	>90Ra	Passive	9W	20°	Ø 83mm
2.11.1875 / 2.11.1876 ¹	LED spot Fondo Asymmetric deep round fixed	White	700lm	3000K	>90Ra	Passive	9W	20°	Ø 83mm
2.11.1877 / 2.11.1878 ¹	LED spot Fondo Asymmetric deep round fixed	White	800lm	4000K	>90Ra	Passive	9W	20°	Ø 83mm
2.11.1879 / 2.11.1880 ¹	LED spot Fondo Asymmetric deep round fixed	Black	650lm	2700K	>90Ra	Passive	9W	20°	Ø 83mm
2.11.1881 / 2.11.1882 ¹	LED spot Fondo Asymmetric deep round fixed	Black	700lm	3000K	>90Ra	Passive	9W	20°	Ø 83mm
2.11.1883 / 2.11.1884 ¹	LED spot Fondo Asymmetric deep round fixed	Black	800lm	4000K	>90Ra	Passive	9W	20°	Ø 83mm

¹ Article number with ¹ indicates dimmable driver is included.

Product List



Article No.	Product Name	Color	LED Lumen	CCT	CRI	Cooling	LED Power	Reflector	Cutout Size
2.11.1885 / 2.11.1886 ¹	LED spot Fondo Asymmetric deep square fixed	Grey	650lm	2700K	>90Ra	Passive	9W	20°	86*83mm
2.11.1887 / 2.11.1888 ¹	LED spot Fondo Asymmetric deep square fixed	Grey	700lm	3000K	>90Ra	Passive	9W	20°	86*83mm
2.11.1889 / 2.11.1890 ¹	LED spot Fondo Asymmetric deep square fixed	Grey	800lm	4000K	>90Ra	Passive	9W	20°	86*83mm
2.11.1891 / 2.11.1892 ¹	LED spot Fondo Asymmetric deep square fixed	White	650lm	2700K	>90Ra	Passive	9W	20°	86*83mm
2.11.1893 / 2.11.1894 ¹	LED spot Fondo Asymmetric deep square fixed	White	700lm	3000K	>90Ra	Passive	9W	20°	86*83mm
2.11.1895 / 2.11.1896 ¹	LED spot Fondo Asymmetric deep square fixed	White	800lm	4000K	>90Ra	Passive	9W	20°	86*83mm
2.11.1897 / 2.11.1898 ¹	LED spot Fondo Asymmetric deep square fixed	Black	650lm	2700K	>90Ra	Passive	9W	20°	86*83mm
2.11.1899 / 2.11.1900 ¹	LED spot Fondo Asymmetric deep square fixed	Black	700lm	3000K	>90Ra	Passive	9W	20°	86*83mm
2.11.1901 / 2.11.1902 ¹	LED spot Fondo Asymmetric deep square fixed	Black	800lm	4000K	>90Ra	Passive	9W	20°	86*83mm

¹ Article number with ¹ indicates dimmable driver is included.

Product List