

# Dark

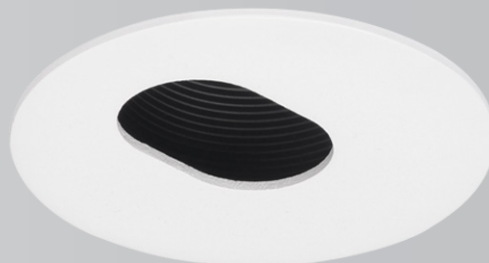
## LED Spot Light

Deep Round & Oval Tiltable




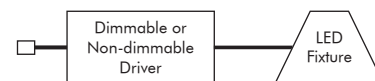
8.4W, 350mA

AVAILABLE ON REQUEST



Product Information

<b>System Power</b>	12W		
<b>CRI</b>	>90Ra		
<b>CCT</b>	2700K	3000K	4000K
<b>LED Lumen</b>	650lm	700lm	800lm
<b>LED Efficacy</b>	72lm/W	78lm/W	89lm/W
<b>LOR</b>	Up to 40%		
<b>Driver</b>	500mA Non-Dimmable or Dimmable Driver (included)		
<b>Reflector</b>	 20° Low-glare included		



System includes: fixture, driver and quick connector

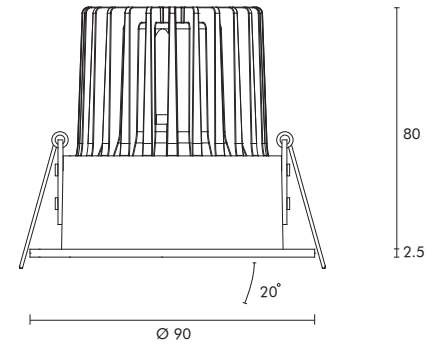
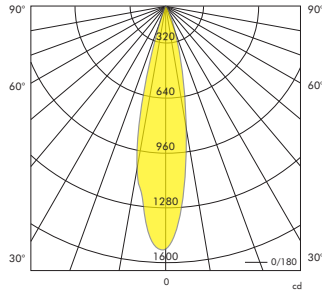
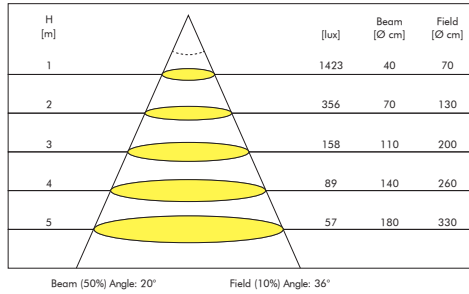


Quick connector (included)

On Request

Article No.	Description
-	1-10v or DALI dimmable driver available on request
-	8.4W, 350mA version available on request

### Dark Deep Round 2700K

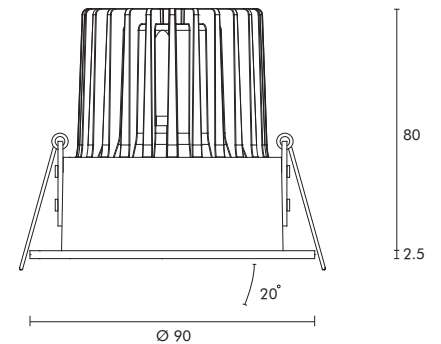
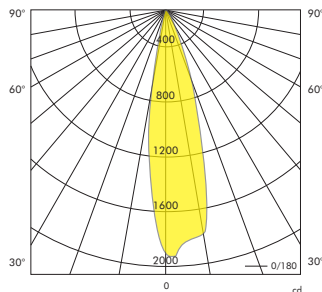
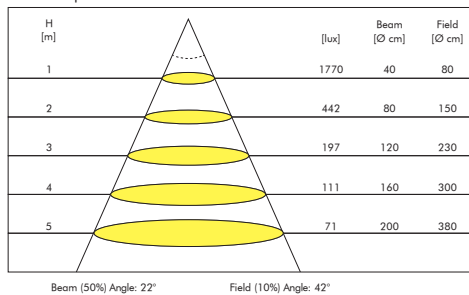


Article No.	Product Name	Color	LED Lumen	CCT	CRI	Cooling	LED Power	Reflector	Cutout Size
2.11.1795 / 2.11.1796 <sup>1</sup>	LED spot Dark deep round tilttable	Grey	650lm	2700K	>90Ra	Passive	9W	20°	Ø 75mm
2.11.1797 / 2.11.1798 <sup>1</sup>	LED spot Dark deep round tilttable	Grey	700lm	3000K	>90Ra	Passive	9W	20°	Ø 75mm
2.11.1799 / 2.11.1800 <sup>1</sup>	LED spot Dark deep round tilttable	Grey	800lm	4000K	>90Ra	Passive	9W	20°	Ø 75mm
2.11.1801 / 2.11.1802 <sup>1</sup>	LED spot Dark deep round tilttable	White	650lm	2700K	>90Ra	Passive	9W	20°	Ø 75mm
2.11.1803 / 2.11.1804 <sup>1</sup>	LED spot Dark deep round tilttable	White	700lm	3000K	>90Ra	Passive	9W	20°	Ø 75mm
2.11.1805 / 2.11.1806 <sup>1</sup>	LED spot Dark deep round tilttable	White	800lm	4000K	>90Ra	Passive	9W	20°	Ø 75mm
2.11.1807 / 2.11.1808 <sup>1</sup>	LED spot Dark deep round tilttable	Black	650lm	2700K	>90Ra	Passive	9W	20°	Ø 75mm
2.11.1809 / 2.11.1810 <sup>1</sup>	LED spot Dark deep round tilttable	Black	700lm	3000K	>90Ra	Passive	9W	20°	Ø 75mm
2.11.1811 / 2.11.1812 <sup>1</sup>	LED spot Dark deep round tilttable	Black	800lm	4000K	>90Ra	Passive	9W	20°	Ø 75mm

<sup>1</sup> Article number with <sup>1</sup> indicates dimmable driver is included.

Product List

### Dark Deep Oval 2700K



Article No.	Product Name	Color	LED Lumen	CCT	CRI	Cooling	LED Power	Reflector	Cutout Size
2.11.1813 / 2.11.1814 <sup>1</sup>	LED spot Dark deep oval tilttable	Grey	650lm	2700K	>90Ra	Passive	9W	20°	Ø 75mm
2.11.1815 / 2.11.1816 <sup>1</sup>	LED spot Dark deep oval tilttable	Grey	700lm	3000K	>90Ra	Passive	9W	20°	Ø 75mm
2.11.1817 / 2.11.1818 <sup>1</sup>	LED spot Dark deep oval tilttable	Grey	800lm	4000K	>90Ra	Passive	9W	20°	Ø 75mm
2.11.1819 / 2.11.1820 <sup>1</sup>	LED spot Dark deep oval tilttable	White	650lm	2700K	>90Ra	Passive	9W	20°	Ø 75mm
2.11.1821 / 2.11.1822 <sup>1</sup>	LED spot Dark deep oval tilttable	White	700lm	3000K	>90Ra	Passive	9W	20°	Ø 75mm
2.11.1823 / 2.11.1824 <sup>1</sup>	LED spot Dark deep oval tilttable	White	800lm	4000K	>90Ra	Passive	9W	20°	Ø 75mm
2.11.1825 / 2.11.1826 <sup>1</sup>	LED spot Dark deep oval tilttable	Black	650lm	2700K	>90Ra	Passive	9W	20°	Ø 75mm
2.11.1827 / 2.11.1828 <sup>1</sup>	LED spot Dark deep oval tilttable	Black	700lm	3000K	>90Ra	Passive	9W	20°	Ø 75mm
2.11.1829 / 2.11.1830 <sup>1</sup>	LED spot Dark deep oval tilttable	Black	800lm	4000K	>90Ra	Passive	9W	20°	Ø 75mm

<sup>1</sup> Article number with <sup>1</sup> indicates dimmable driver is included.

Product List